
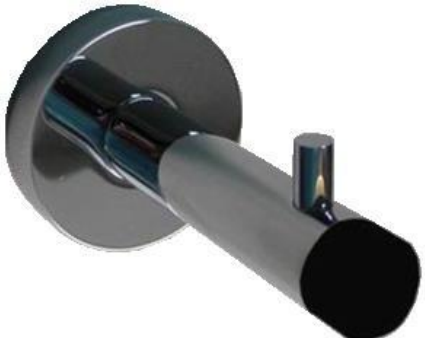
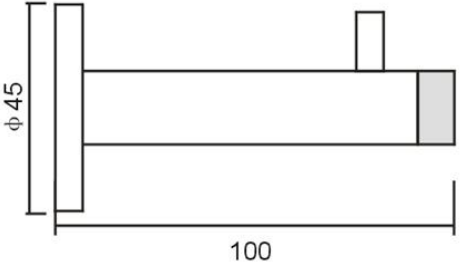




PROJECT		REF		REV	ITEM CODE	
LOCATION		DATE			PAGE	

## SANITARY WARE SPECIFICATION SHEET

Item Descriptions	EMCA (PRC) Chrome plated wall mounted coat hook with door stop	Illustration/ Drawing
Dimensions	L45 x W100 x H45 mm	
Model	EM8939AD-45-100	
Material/ Finish	Chrome Plated	
Manufacturer	EMCA (PRC)	
Source	Acme Sanitary Ware Co. Ltd Mr. Eric Wong/ Mr. Don Yuen	
Contact Tel/Fax	(852) 2388-7171 / (852) 2710-8012	
E-mail	<a href="mailto:acme@acmesanitary.com.hk">acme@acmesanitary.com.hk</a>	
Website	<a href="http://www.acmesanitary.com.hk">www.acmesanitary.com.hk</a>	

Note: